

# Datasheet

This product datasheet has been provided by  
John Godrich in Partnership with SalvisLab



## Laboratory stirrer LMF

FLUKO laboratory stirrers can be used for tasks from laboratory research to scale-up plants.

They are equipped with optimally matched stands and, in the standard model, with a controller for variable speed. Laboratory stirrers, too, are available in ATEX versions for use in hazardous areas.

### Configuration

FLUKO Laboratory stirrers are equipped with a robust 3 phase motor. The speed is controlled by a static frequency converter in the case of the LMF. The mixing shaft is securely connected with a replaceable thimble coupling. All of the production agitator types are available for the laboratory stirrer, thus ensuring the possibility of a scale up.

### Drives

- 3 phase motor 0.25 - 1.5 kW
- speed adjustment with a digital frequency converter, supplied in a IP 54 switch box with ON/OFF switch, cable and plug.
- Speed range: 300 to 6000 min<sup>-1</sup>.

### Agigators

The following agitator types are available:

- blade propeller
- dispersing disc
- 2 bladed trapezoidal turbine
- MIK-agitator

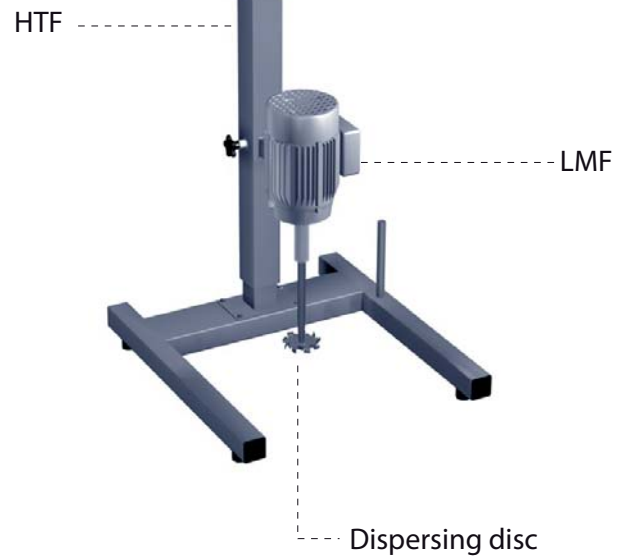
### Stands

Several stands are available for use with FLUKO laboratory stirrers and dissolvers. Manually adjustable stands are suitable for smaller stirrers, whereas stands with linear electric drives or counterweights are better suited for larger stirrers.



LMF	Type		Power		Dims.		Accessories *	
	Drive power kW	Speed min <sup>-1</sup> from - to	Shaft length mm	Agitator diameter mm from - to	Stand type	Clamp type		
25.2	0.25	300 6000	300	40 50	HTF 300, HTE 300	RH, BAR; BASP		
25.4	0.25	150 3000	300	50 60	HTF 300, HTE 300	RH, BAR; BASP		
37.2	0.37	300 6000	300	40 60	HTF 300, HTE 300	RH, BAR; BASP		
37.4	0.37	150 3000	300	50 80	HTF 300, HTE 300	RH, BAR; BASP		
55.2	0.55	300 6000	350	50 80	HTF 300, HTE 300	BAR; BASP		
55.4	0.55	150 3000	350	60 90	HTF 300, HTE 300	BAR; BASP		
75.2	0.75	300 6000	500	50 80	HTF 500, HTE 500	BASP		
75.4	0.75	150 3000	500	60 100	HTF 500, HTE 500	BASP		
150.2	1.5	300 6000	500	80 125	HTE 500, HTG 80	BASP		
150.4	1.5	150 3000	500	100 150	HTE 500, HTG 80	BASP		

\* See laboratory accessories brochure



# Datasheet

This product datasheet has been provided by  
John Godrich in Partnership with SalvisLab

